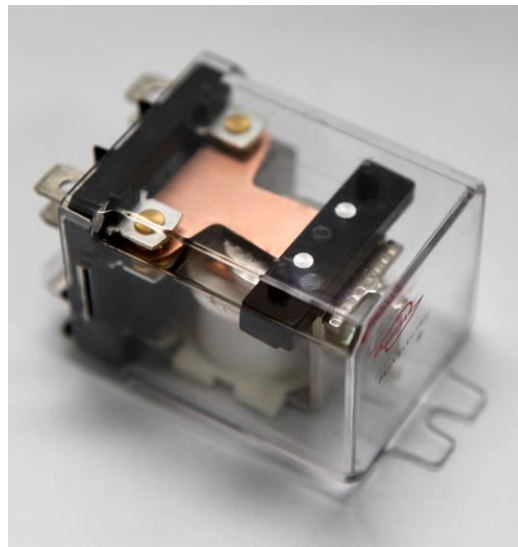


FEATURES

- Plug-in style relay.
- Quick connect receptacles or direct soldering.
- Large capacity 30A contact rating.
- 1X, 1Y, 1Z contact arrangement.
- BTA5 general-purpose relay are available in a wide choice of AC or DC voltage with indicator lamp and push to test button.
- UL E115915



LINEUP

■ STANDARD COIL POLARITY

Contact form	Solder terminals/ P.C.B terminals		
	Standard	With LED	With LED and Manual button
SPST-NO	BTA5-1X-B-S-C	BTA5-1X-B-S-C-L	BTA5-1X-B-S-C-LM
SPST-NC	BTA5-1Y-B-S-C	BTA5-1Y-B-S-C-L	BTA5-1Y-B-S-C-LM
SPST-NC-NO	BTA5-1Z-B-S-C	BTA5-1Z-B-S-C-L	BTA5-1Z-B-S-C-LM

Notes:

1. You can choose contact material by switching the codes. For example: BTA5-1X-B-S-C (AGSNO2 gold flashed) can be changed to BTA5-1X-E-S-C (AGCDO gold flashed)
Blank: AGCDO B: AGSNO2 gold flashed E: AGCDO gold flashed D: AGNI gold flashed G: silver
2. You can choose terminal style by switching the codes. For example: BTA5-1X-B-S-C (6.35X0.8) can be changed to BTA5-1X-F-S1-C (4.8X0.8)
S: 6.35X0.8 S1: 4.8X0.8 S2: 4.8X0.5 P1: 2.3X0.8 P2: 1.2X0.8
3. You can choose cover style by switching the codes. For example: BTA5-1X-B-S-C (Plain cover) can be changed to BTA5-1X-F-S-C1 (Side flange cover)
C: Plain cover C1: Side flange cover C3: Top flange cover C4: din rail cover

SPECIFICATIONS

■ COIL RATINGS

Rated voltage(V)		Rated current (mA)		Coil resistance (Ω)	Must operate voltage	Must release voltage	Max. voltage	Power consumption (approx.)
		50 Hz	60 Hz					
AC (1X,1Y,1Z)	6	634	518	4.2	85	30	110	3.0VA
	12	257	204	18				
	24	146.8	127.2	72				
	110	31.2	27.5	1580				
	120	48.4	33.1	1700				
	220	27.5	21.2	5500				
	240	14.1	12.6	7200				
DC (1X,1Y,1Z)	6	166.7		32	80	10	110	1.2W
	12	96		120				
	24	51.2		472				
	48	26.4		1800				
	110	13.2		10000				
	120	13.2		10000				

Note:

1. The coil resistance is measured at a coil temperature of 25°C and 35%-70% of humidity.
2. The operating parameter is measured at a coil temperature of 25°C indicated in the percentage of the rated voltages.
3. The coil rated current is measured as the real current consumption under the rated voltages.

■ CONTACT RATINGS

Item	1X/1Y/1Z
Resistive load (cosΦ = 1)	30A,300VAC 30A,28VDC 10A, 600VAC
Motor	1HP 120VAC 1-1/2HP 200-600VAC
Max. switching voltage	250VAC 250VDC
Max. switching current	30A
Max. switching power	9000VA 840W

BETA ELECTRIC INDUSTRY CO., LTD. RELAYS & COMPONENTS

■ CHARACTERISTICS

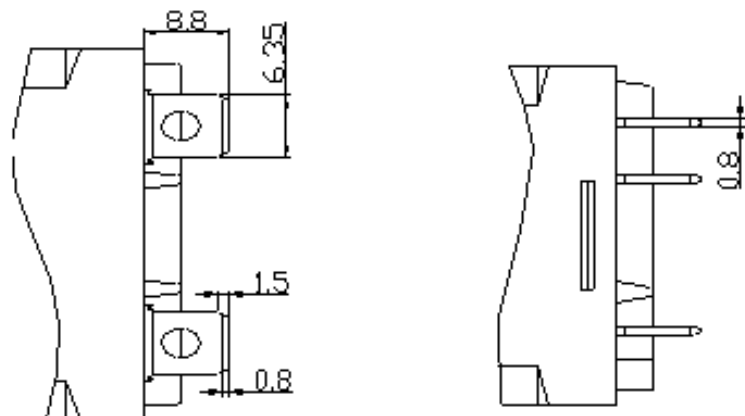
Item	All Relays
Contact resistance	50mΩ Maximum.
Operate time	AC: 30mS Maximum, DC: 20mS Maximum
Release time	AC: 25mS Maximum, DC: 15mS Maximum
Max. operating frequency	Mechanical: 18,000 operations/h Electrical: 1,800 operations/h (under rated load)
Insulation resistance	1000MΩ Minimum. At 500VDC.
Dielectric strength	Between open contact: 1000 VAC for 1 minute.
	Between contact and coil: 1500VAC for 1 minute.
	Between live parts and ground: 1500VAC for 1 minute.
Vibration resistance	Destruction: 10 to 55 Hz, 0.75-mm single amplitude (1.5-mm double amplitude) Malfunction: 10 to 55 Hz, 0.5-mm single amplitude (1.0-mm double amplitude)
Shock resistance	Destruction: 1,000 m/s ² (approx. 100G) Malfunction: 1,00 m/s ² (approx. 10G)
Endurance	Mechanical: 10,000,000 operations min (at 18,000 operations/h) Electrical: 100,000 operations min (at 1,800 operations/h under rated load)
Ambient temperature	Operating: -30°C to +50°C (AC); -30°C to +60°C (DC)
Ambient humidity	Operating: 5% to 85%
Weight	87g

DIMENSION

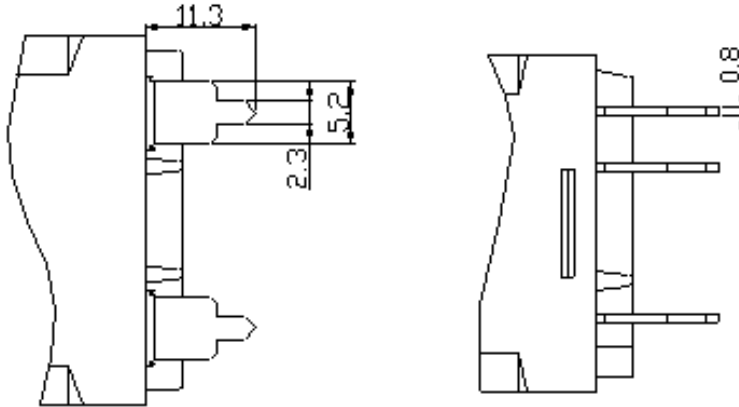
■ Relays with Solder/Plug-in Terminals

Terminal style

Standard terminal: code S

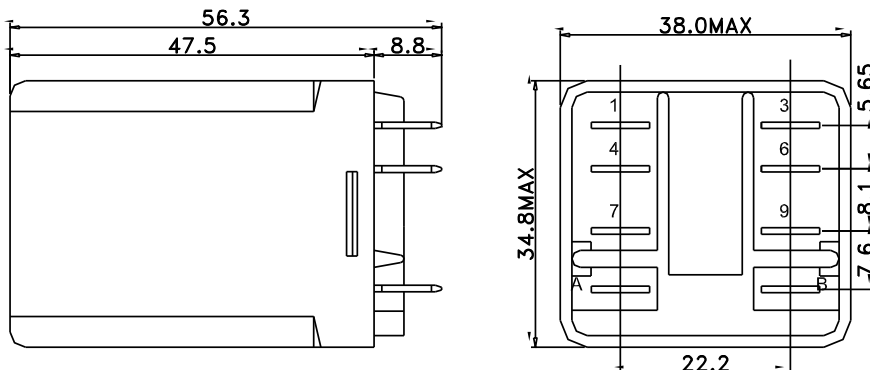


P.C.B. terminal: code P1

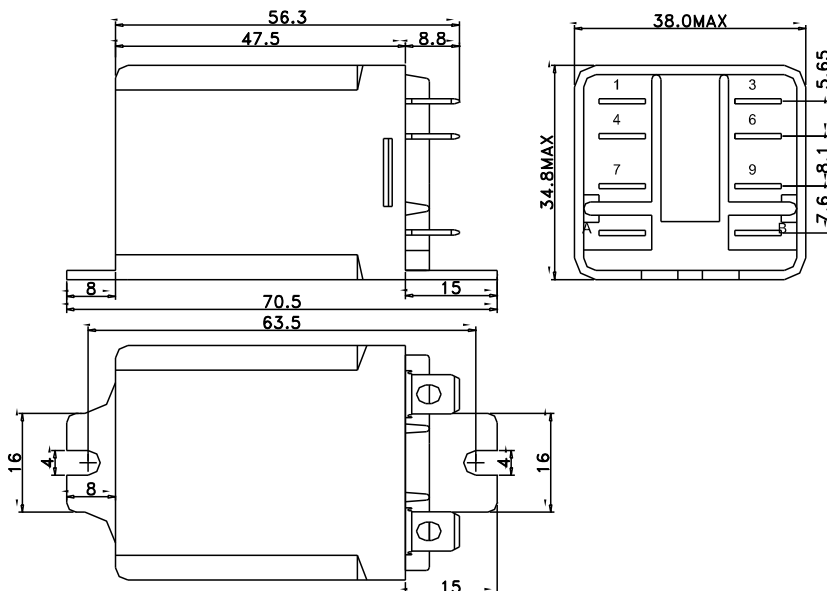


Cover style

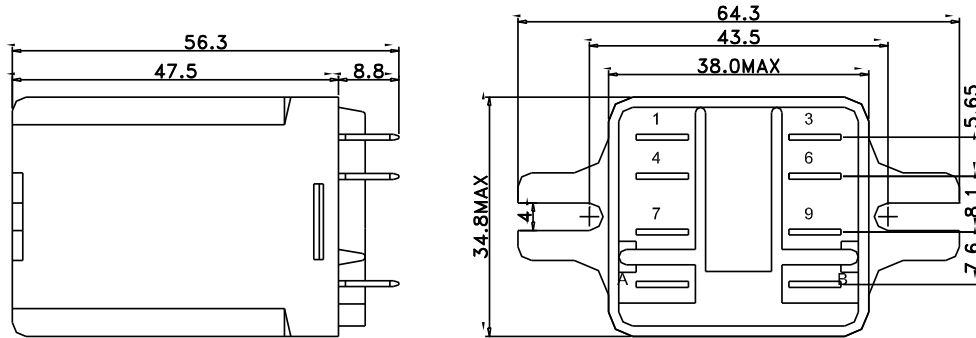
Plain cover: code C



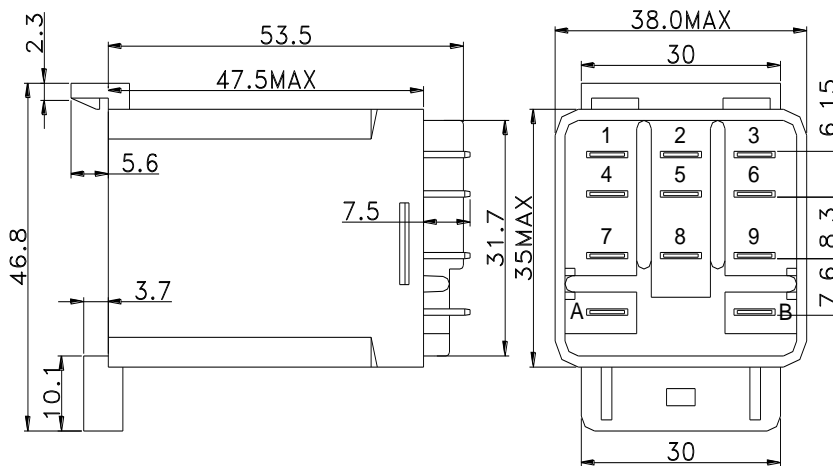
Side flange cover: code C1



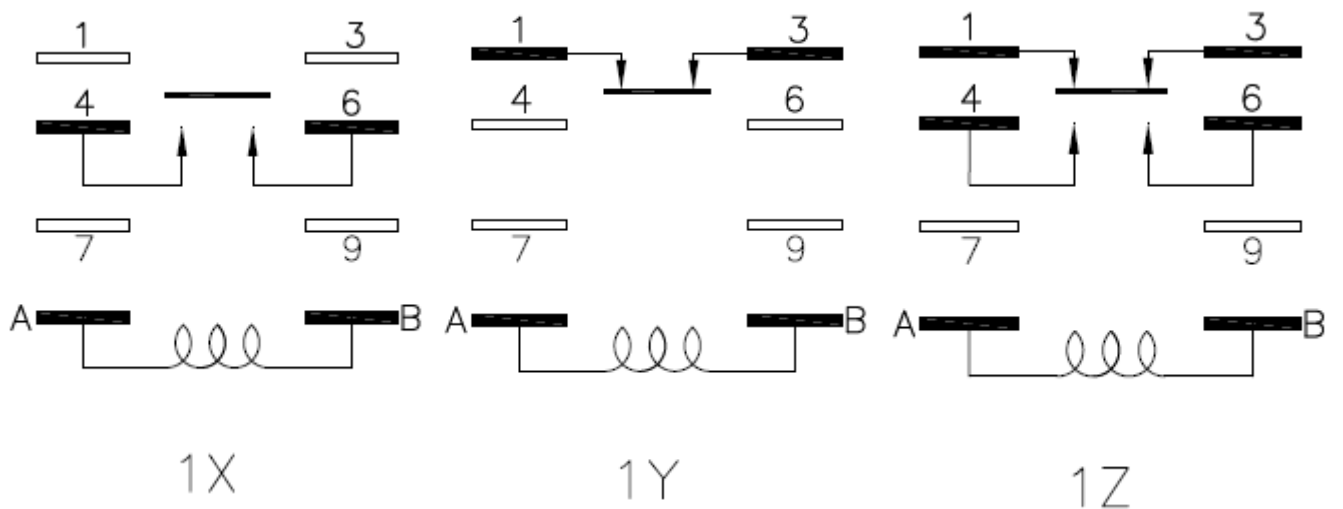
Top flange cover: code C3



Din rail cover: code C4



Wiring diagram





HOW TO ORDER

BTA5- 1X _ S- C M4L- 12VAC

