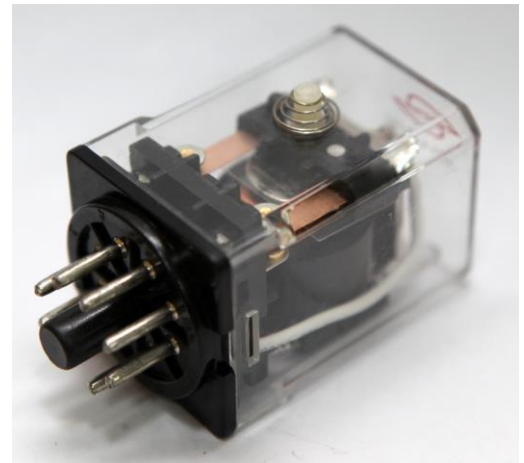


FEATURES



- Octal style industrial control relay.
- 10A of general-purpose relay.
- SPDT, DPDT, 3PDT contact arrangement.
- BTA1 general-purpose relays are available in a wide choice of AC or DC voltages with indicator lamp or/and manual push button.
- UL E115915



LINEUP

■ STANDARD COIL POLARITY

Construction style	Contact form	Plug-in Terminals		
		Standard	With LED	With LED and Manual button,
U style	SPDT	BTA1-1C-B-U-C	BTA1-1C-B-U-C-L	BTA1-1C-B-U-C-LM
	DPDT	BTA1-2C-B-U-C	BTA1-2C-B-U-C-L	BTA1-2C-B-U-C-LM
	3PDT	BTA1-3C-B-U-C	BTA1-3C-B-U-C-L	BTA1-3C-B-U-C-LM
J style	SPDT	BTA1-1C-B-J-C	BTA1-1C-B-J-C-L	BTA1-1C-B-J-C-LM
	DPDT	BTA1-2C-B-J-C	BTA1-2C-B-J-C-L	BTA1-2C-B-J-C-LM
	3PDT	BTA1-3C-B-J-C	BTA1-3C-B-J-C-L	BTA1-3C-B-J-C-LM

Note:
 You can choose contact material by switching the codes. For instance: BTA1-1C-B-U-C (AGSNO2 gold flashed) can be changed to BTA1-1C-E-U-C (AGCDO gold flashed)

Blank: AGCDO B: AGSNO2 gold flashed E: AGCDO gold flashed D: AGNI gold flashed

■ SOCKETS & ACCESSORIES

Type	Sockets	Hold-down Clip
8-pin (1C/2C)	PF-083A	BTA1-26
11-pin (3C)	PF-113A	



SPECIFICATIONS

■ COIL RATINGS

Rated voltage(V)	Rated current (mA)		Coil resistance (Ω)	Must operate voltage	Must release voltage	Max. voltage	Power consumption (approx.)
	50 Hz	60 Hz		% of rated voltage			
AC (1C,2C)	6	442	425	85	30	110	2.0VA
	12	263	242				
	24	122.4	110.9				
	48	51.3	45.6				
	110	23	20.5				
	120	22.3	19.5				
	220	14.5	12.8				
	240	11.4	10.1				
AC (3C)	6	726	654	85	30	110	2.75VA
	12	297	268				
	24	146.8	127.2				
	48	73.8	65.3				
	110	31.2	27.5				
	120	33.1	29.4				
	220	15.5	13.5				
	240	27	23.2				
DC (1C,2C,3C)	6	165.7		80	10	110	1.2W
	12	95.6					
	24	60.3					
	48	26.4					
	110	10.8					
	120	10.8					

Note:

1. The test value of coil resistance was at a temperature of 25 ° C, humidity 35% to 70%.
2. The operating parameter is measured at a coil temperature of 25 ° C indicated in the percentage of the rated voltages.
3. The coil rated current is measured as the real current consumption under the rated voltages.



BETA ELECTRIC INDUSTRY CO., LTD. RELAYS & COMPONENTS

CONTACT RATINGS

Item	1C	2C/3C
resistive load (cosΦ = 1)	12A,120VAC,240VAC 10A,30VDC	12A,120VAC 10A,240VAC, 10A,30VDC
Motor	1/3HP,120VAC 1/2HP,240VAC	
Carry current	10A	
Max. switching voltage	250VAC 125VDC	
Max. switching current	12A	
Max. switching power	2880VA 300W	2400VA 300W

CHARACTERISTICS

Item	All Relays
Contact resistance	50m Ω Maximum.
Operate time	AC: 25mS Maximum, DC: 20mS Maximum
Release time	AC: 20mS Maximum, DC: 15mS Maximum
Max. operating frequency	Mechanical: 18,000 operations/h Electrical: 1,800 operations/h (under rated load)
Insulation resistance	1000MΩ Minimum. At 500VDC.
Dielectric strength	Between open contact: 1000 VAC for 1 minute.
	Between contact and coil: 1500VAC for 1 minute.
	Between live parts and ground: 1500VAC for 1 minute.
Vibration resistance	Destruction: 10 to 55 Hz, 0.75-mmsingle amplitude(1.5-mm double amplitude) Malfunction: 10 to 55 Hz, 0.5-mmsingle amplitude(1.0-mm double amplitude)
Shock resistance	Destruction: 1,000 m/s ² (approx. 100 G) Malfunction: 100 m/s ² (approx. 10 G)
Endurance	Mechanical: 10,000,000 operations min (at 18,000 operations/h) Electrical: 100,000 operations min (at 1,800 operations/h under rated load)
Ambient temperature	Operating: -45°C to +55°C(AC); -45°C to +65°C(DC)
Ambient humidity	Operating: 5% to 85%
Weight	88g

■ SOCKETS Dielectric withstand voltage、Insulation resistance

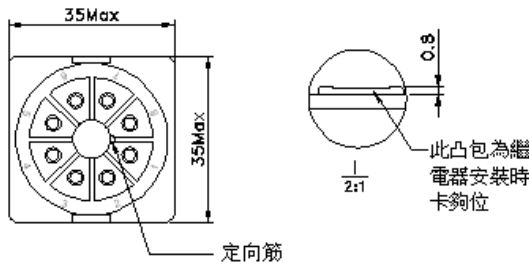
Pole	Model	Carry current	Dielectric withstand voltage	Insulation resistance
1C/2C	PF-083A	10A	1500VAC 1min	1000MΩ Minimum. At 500VDC.
3C	PF-113A	10A	1500VAC 1min	1000MΩ Minimum. At 500VDC.

DIMENSION

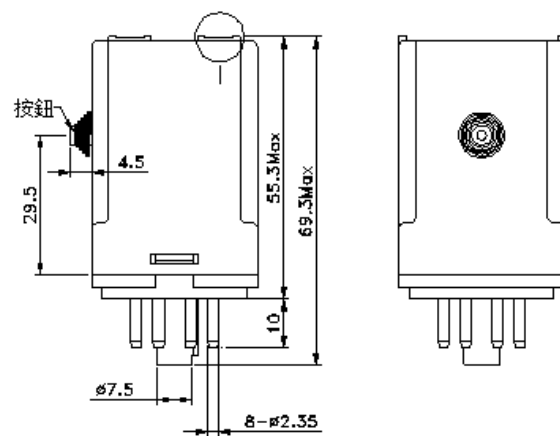
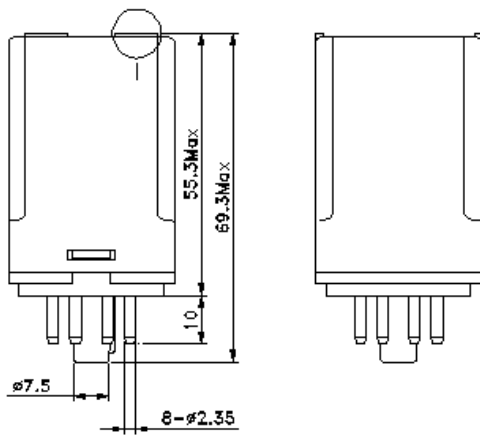
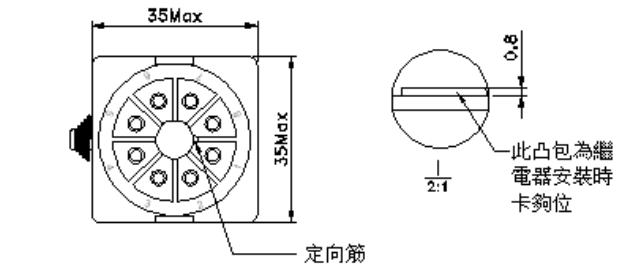
■ Relays with Solder/Plug-in Terminals

BTA1-1C/ 2C (8 pin)

BTA1-1C/2C-C

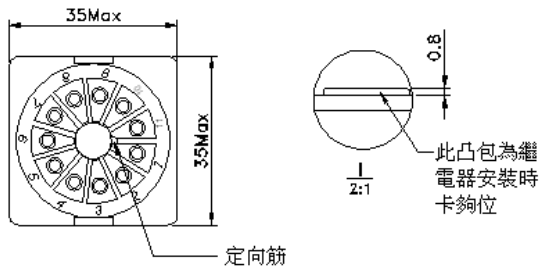


BTA1-1C/2C-CML



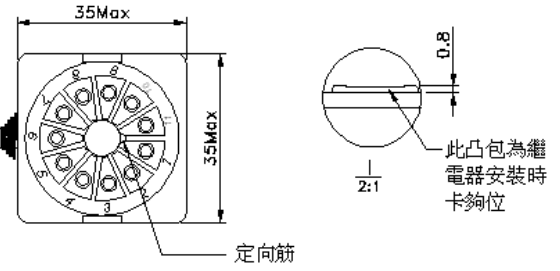
BTA1-3C (11 pin)

BTA1-3C

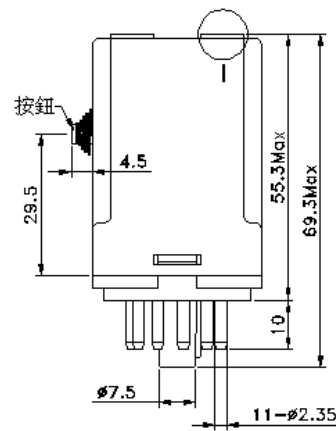
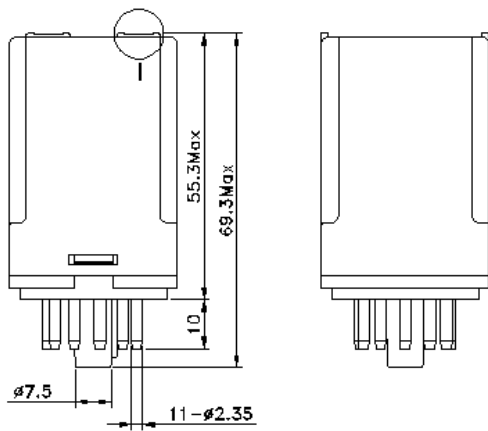


定向筋

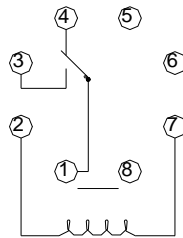
BTA1-3C



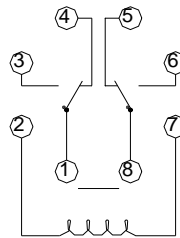
定向筋



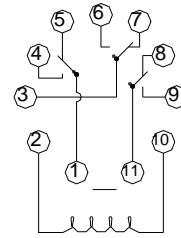
Wiring diagram



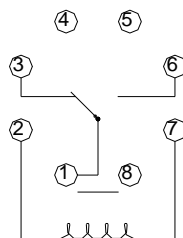
1C-J



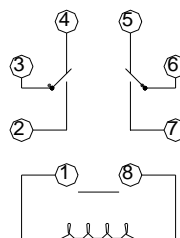
2C-J



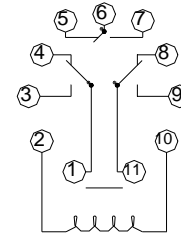
3C-J



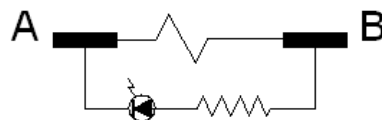
1C-U



2C-U

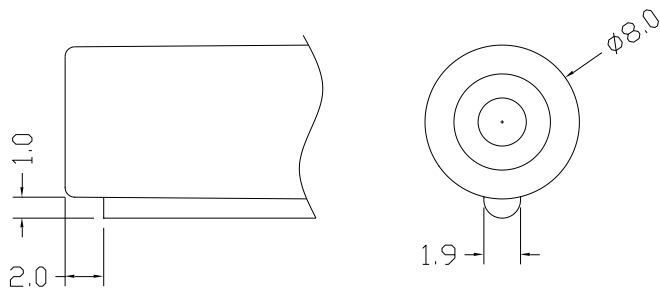


3C-U

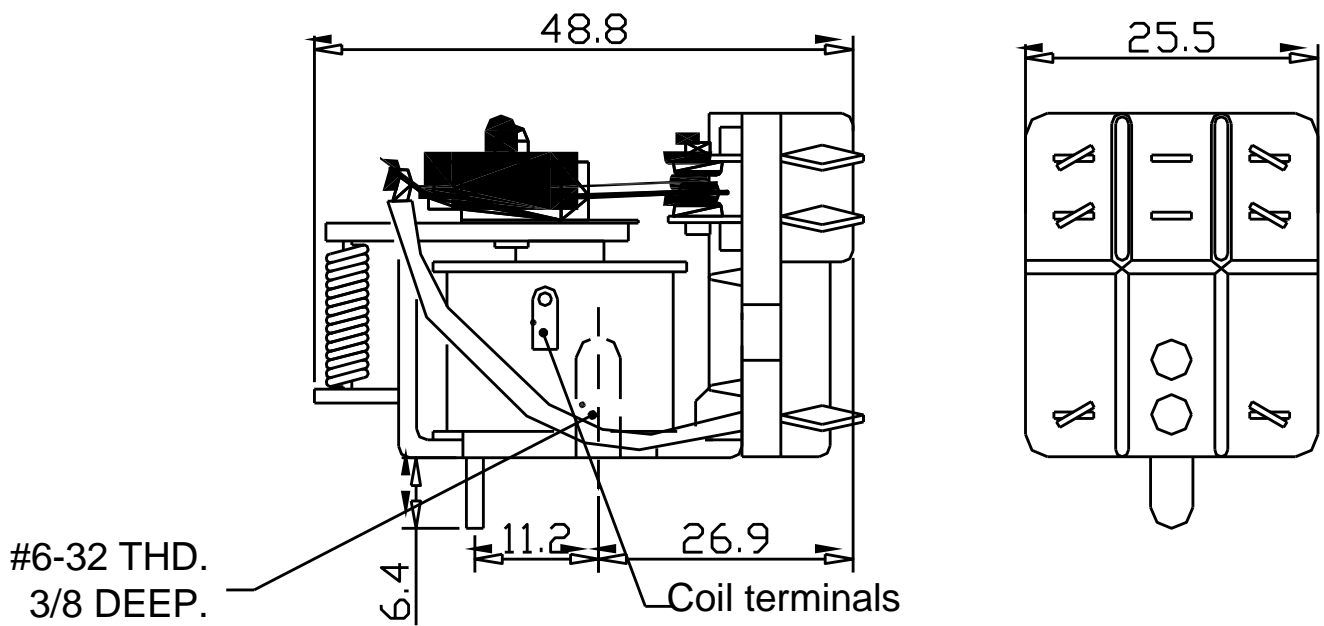


Coil circuit for indicator lamp

Guide Rib


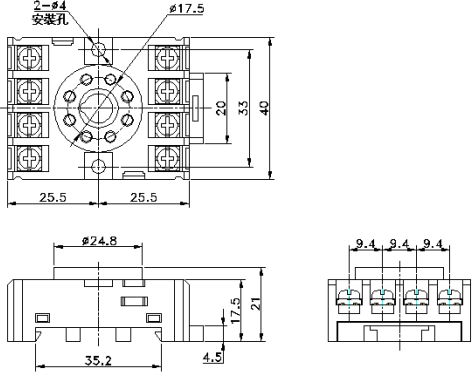
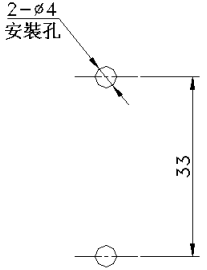

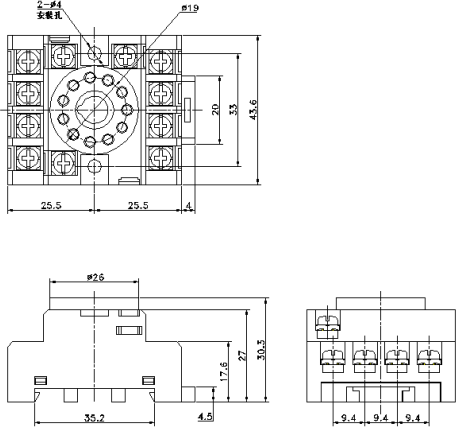
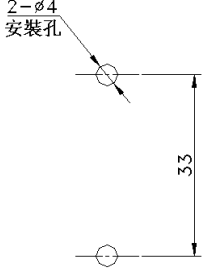


Without cover style: Code D


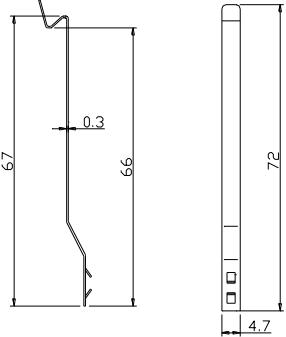
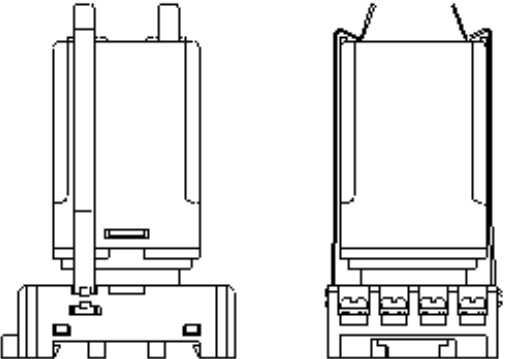


■ ACCESSORIES

SOCKET outline drawing, dimensions, wiring, Mounting

Type	model	dimension	Wiring	Mounting
SPDT/ DPDT	PF-083A 		Refer to 8-pins Wire diagram s	1. track mounting 2. screw mounting 
3PDT	PF-113A 		Refer to 11-pins Wire diagram s	1. track mounting 2. screw mounting 

HOLD DOWN STRAP CLIP

model	dimension	Mounting
BTA1-26 		



HOW TO ORDER

