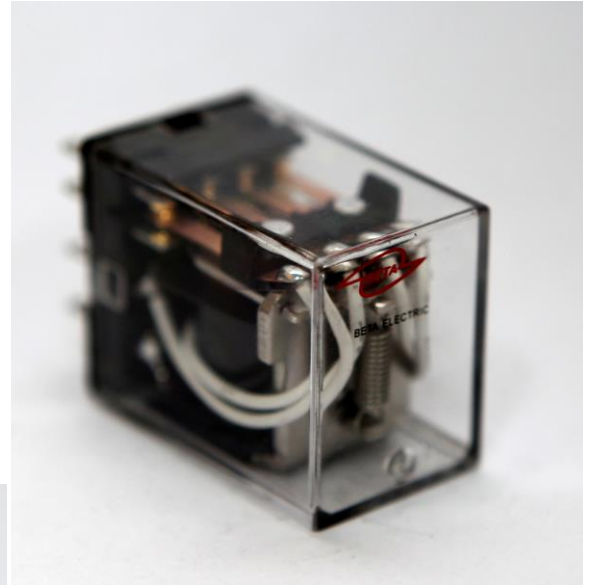


FEATURES

- 3A / 5A/10A of general purpose relay
- DPDT and 4PDT contact arrangement
- Bifurcated contact: To increase contact reliability
- Epoxy sealed relays: (Optional)
- E101358 (for BMY-2C5、BMY-4C5)



LINEUP

■ STANDARD COIL POLARITY

Contact Form	Current	Plug-in socket/Solder terminals		
		Standard	With LED	With LED & Button
DPDT	5A	BMY-2C5-S-C-	BMY-2C5-S-CL-	BMY-2C5-S-CML-
	10A	BMY-2C10-S-C-	BMY-2C10-S-CL-	BMY-2C10-S-CML-
4PDT	3A	BMY-4C1-S-C-	BMY-4C1-S-CL-	BMY-4C1-S-CML-
	5A	BMY-4C5-S-C-	BMY-4C5-S-CL-	BMY-4C5-S-CML-
	雙子 3A	BMY-4C3-S-C-	BMY-4C3-S-CL	BMY-4C3-S-CML-

Note:

1. There are two different types of terminal can be chose. For example: BMY-2C-P (P type) can be changed to BMY-2C-S-C (S type) by switching the code.
2. There are four different types of cover can be chose. For example: BMY-2C-S-C2 (plain cover) can be changed to BMY-2C-S-C2 (Anti-rotation) by switching the code.

C: plain cover

C2: Anti-rotation

C3: Top flange cover

C6: Epoxy sealed style



■ SOCKETS & ACCESSARIES

Contact Form	Front-connecting Socket (DIN-track/screw mounting)
DPDT	PYF-08A、PY-08-P/S
4PDT	PYF-14A、PY-14-P/S

SPECIFICATIONS

■ COIL RATINGS

Rated voltage	Rated current (mA)		Coil resistance	Must operate voltage	Must release voltage	Max. voltage	Power consumption (approx.)
	50 Hz	60 Hz					
AC	6 V*	331	284	80%	30%	110%	1.2VA
	12 V	94.2	73.5				
	24 V	54.5	46.5				
	48 V*	24.1	18.2				
	110V	11.2	8.1				
	120 V	11.5	8.4				
	220/230 V	6.9	5.8				
	240 V	6.1	3.8				
DC	6 V*	150		80%	10%		0.9W
	12 V	74.5					
	24 V	36					
	48 V*	14.5					
	110 V	9.7					

Note:

1. The coil resistance is measured at a coil temperature of 25°C and 35%-70% of humidity.
2. The operating parameter is measured at a coil temperature of 25°C indicated in the percentage of the rated voltages.
3. The coil rated current is measured as the real current consumption under the rated voltages.



BMY SERIES

BETA ELECTRIC INDUSTRY CO., LTD. RELAYS & COMPONENTS

■ CONTACT RATINGS

Item	BMY-2C5	BMY-2C10	BMY-4C1/3	BMY-4C5
Resistive load ($\cos\Phi = 1$)	5A30VDC 5A 240VAC	10A 30VDC 10A 240VAC	3A30VDC 3A 240VAC	5A 30VDC 5A 240VAC
Motor	1/6HP 120VAC	1/3HP 120VAC	1/10HP 120VAC	1/6HP 120VAC
Carry current	5A	10A	3A	5A
Max. switching voltage	250 VAC 125 VDC			
Max. switching current	5A	10A	5A	
Max. switching power	1200VA 150W	2400VA 300W	720VA 90W	1200VA 150W



BETA ELECTRIC INDUSTRY CO., LTD. RELAYS & COMPONENTS

CHARACTERISTICS

Item	All Relays
Contact resistance	50 mΩ max.
Operate time	20 ms max
Release time	15 ms max
Max. operating frequency	Mechanical: 18,000 operations/hr Electrical: 1,800 operations/hr (under rated load)
Insulation resistance	100MΩ minimum at 500VDC
Dielectric strength	Between open contact: 1000 VAC for 1 minute, Coil to frame: 1500VAC for 1 minute, Contact to coil: 1500 VAC for 1 minute, Pole to pole:1500 VAC for 1 minute
Vibration resistance	Destruction: 10to55Hz, 0.5 mm single amplitude (1.0 mm double amplitude) Malfunction: 10to55Hz, 0.5 mm single amplitude (1.0 mm double amplitude)
Shock resistance	Destruction: 1,000 m/s ² Malfunction: 200 m/s ²
Endurance	Mechanical life: 10,000,000 operations, Electrical life: 100,000 operations
Ambient temperature	-25°C to +50°C (AC); -25°C to +55°C (DC)
Ambient humidity	Operating: 5% to 85%
Weight	32g

SOCKETS Dielectric strength, Insulation resistance

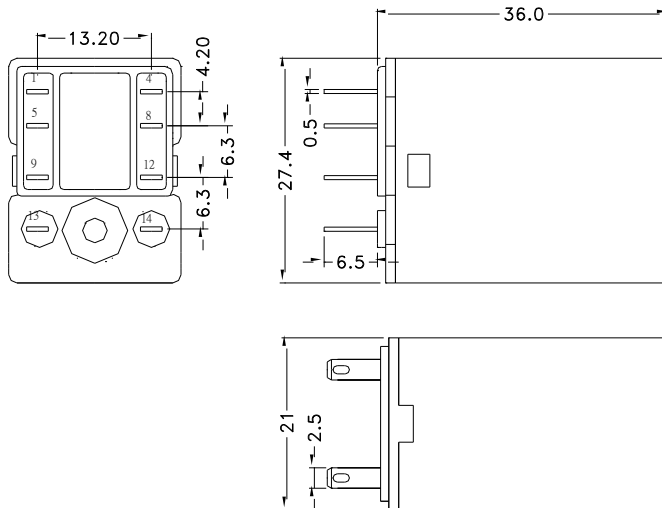
Contact form	Model	Dielectric withstand voltage	Insulation resistance
DPDT	PYF-08A	1800VAC, 1mA/min	1000MΩ @500VDC
	PY-08-P/S	1800VAC, 1mA/min	1000MΩ @500VDC
4PDT	PYF-14A	1800VAC, 1mA/min	1000MΩ @500VDC
	PY-14-P/S	1800VAC, 1mA/min	1000MΩ @500VDC

DIMENSION

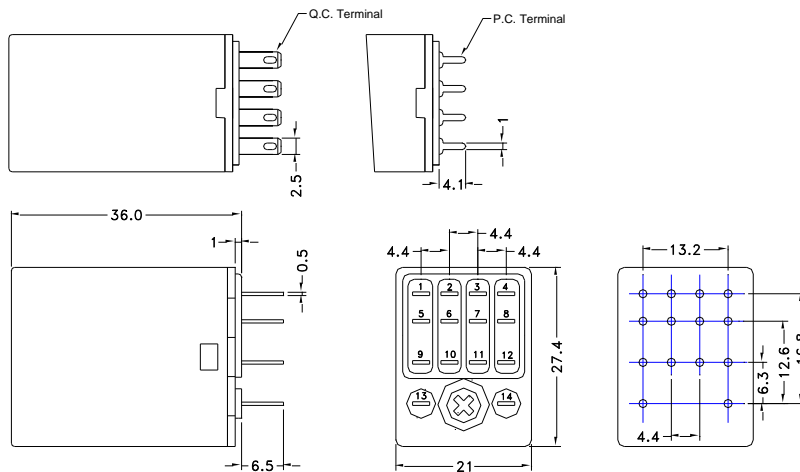
- Relays with Solder/Plug-in Terminals

BMY-2C/ 4C

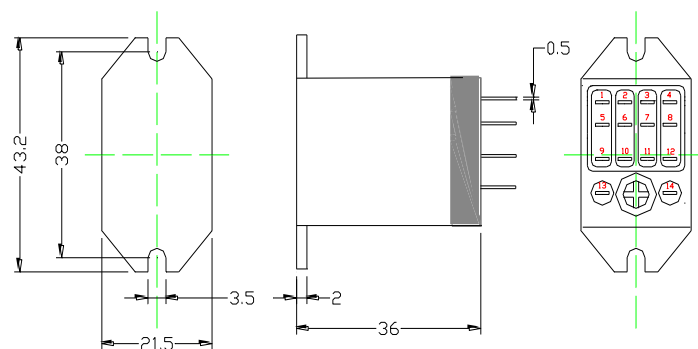
2C Standard type



4C Standard type

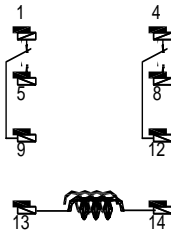


Top flange type



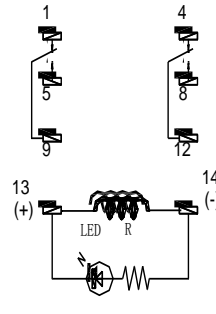
Wiring diagram

2C STANDARD
Standard styles

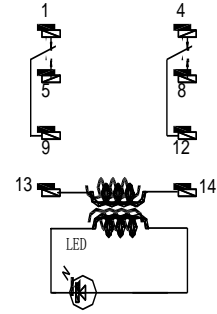


2C/LED Lamp

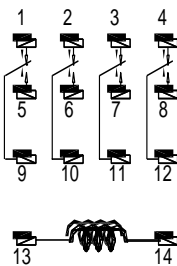
DC styles



AC styles

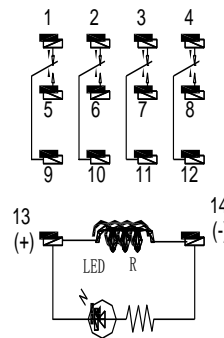


4C STANDARD
Standard styles

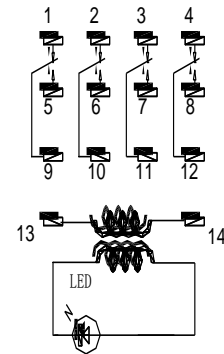


4C/LED Lamp

DC styles



AC styles



■ ACCESSORIES

SCOKET

Poles	3D	Dimension	Wiring diagram	application
2	<p>PYF-08A</p>		<p>Refer to Wiring diagram 2C</p>	<ol style="list-style-type: none"> screw mounting din rail mounting

Poles	3D	Dimension	Wiring diagram	application
2	<p>PY-08-P/S</p>		<p>Refer to Wiring diagram 2C</p>	<p>Tin solder mounting</p>
4	<p>PYF-14A</p>		<p>Refer to Wiring diagram 4C</p>	<p>1.screw mounting 2.din rail mounting</p>
	<p>PY-14-P/S</p>		<p>Refer to Wiring diagram 4C</p>	<p>Tin solder mounting</p>



HOW TO ORDER

